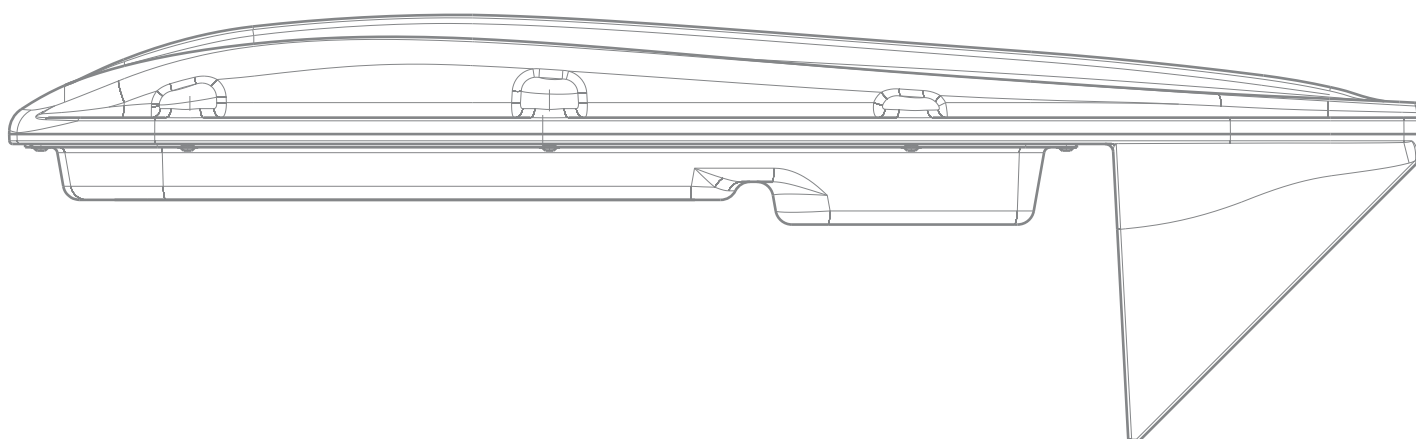


HIGH EFFICIENCY
LED STREET LIGHTS



AEROLITE LSL[®]

10 | 15



Cutting edge light performance

Very low energy consumption

Aerodynamic robust housing for excellent durability

Environmentally friendly ECO technology

Smaller roadways, residential streets, private driveways, walking paths, bicycle lanes

efficiently illuminating your way

GRAH[®]
LED LIGHTING



360° Approach

With our own and **integrated 360° Approach™**, every single component of the luminaire is studied and constantly optimized from a totally new perspective to achieve unique innovative solutions in LED lighting.

Luxeon Rebel LEDs - top quality, awarded LEDs

LED GENION bar™ - optimized LED modules exploiting every LED source to the fullest extent

QUADRUM optics™ - FULL CUTOFF optics (IES and IDA standards) with high efficient reflector system directs light beams exactly where needed for achieving cutting edge light performance

I-NFINITY driver™ - customized, intelligent driver for optimal operation with ultra energy efficient output

MATRIX 3D light™ - unique light shape with asymmetric distribution of luminosity for best possible light uniformity and optimal covering of surfaces

COOLVERT™ - uniquely optimized heat dissipation extends life time and preserves light performance

AEROCOMPACT housing™ - aerodynamic, ultra slim luminaire with robust housing from aluminium alloy enabling increased overall performance and extended lifetime

ULTRA COATING™ - life time multi layer protection of casing for excellent durability

DIMMING



50% dimming with power line.

The luminaire has also ability to regulate light current from 1-100% with a rudder signal from 1-10 V.

APPLICATION

- Smaller roadways
- Residential streets
- Private driveways
- Walking paths
- Bicycle lanes

Wherever the required level of illumination is 5 lx •

S4 road category according to EN 13201 •



TECHNICAL DATA

AEROLITE LSL®

10

15

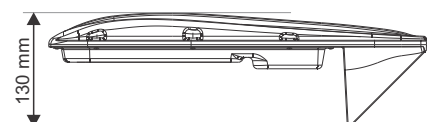
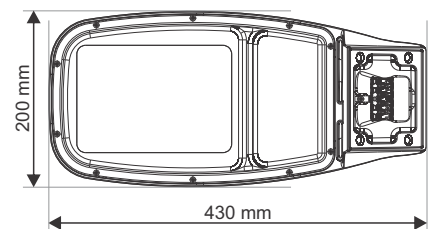
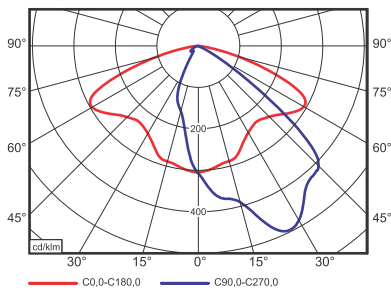
Light source	10	15
	high power LEDs by Lumileds	
Voltage	110 – 250 V (50 – 60 Hz)	
Driving current	500mA	280 – 500 mA
Power consumption	19W	15 – 26 W
	(depending on lumen package)	
Luminaire flux	1,700 lm	1,600 – 2,300 lm
Colour temperature	4000 K (other colour temperatures on request)	
System luminous efficiency	Up to 100 lm/W	
Lifetime	60,000 – 100,000 hours	
Ingress protection	IP66	
Shock protection	IK08	
Protection class	I or II	
Temperature range	-30 to +60 °C	
Operating temperature	+55 °C	
Material	Housing: aluminium alloy; Housing sealing: silicone, heat resistant Cover: PMMA	
Housing colour	RAL 9006 (other colours on request)	
Dimming	0 % / 50 % / 1 – 10 V	
Photocell adapter	On request	
Weight	2.51 kg	
Product dimensions (LxWxH)	430 mm x 200 mm x 130 mm	



LIGHT DISTRIBUTION

example

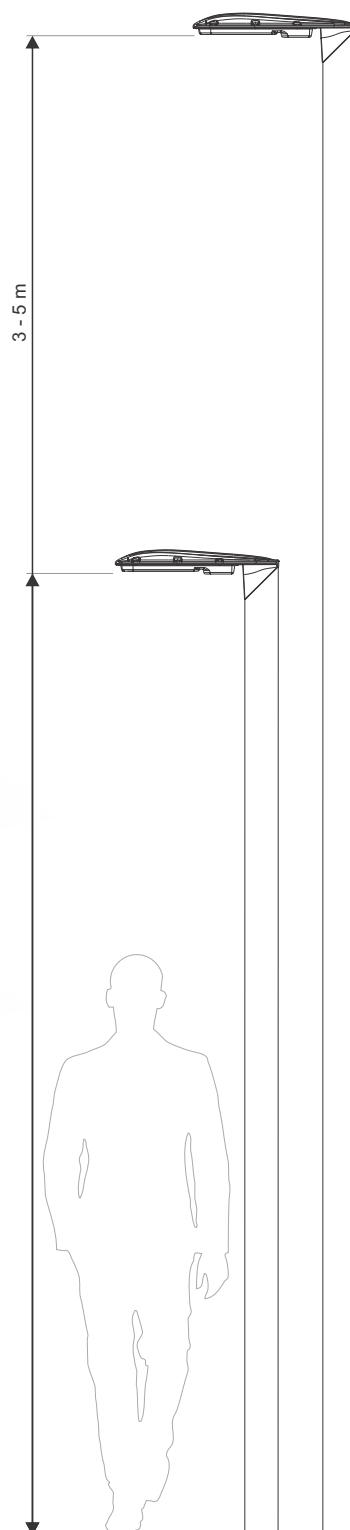
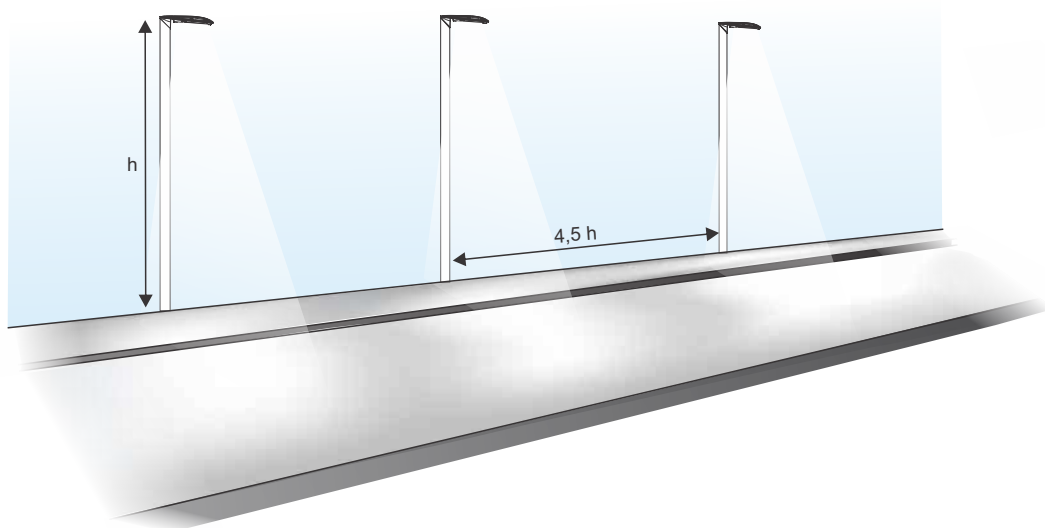
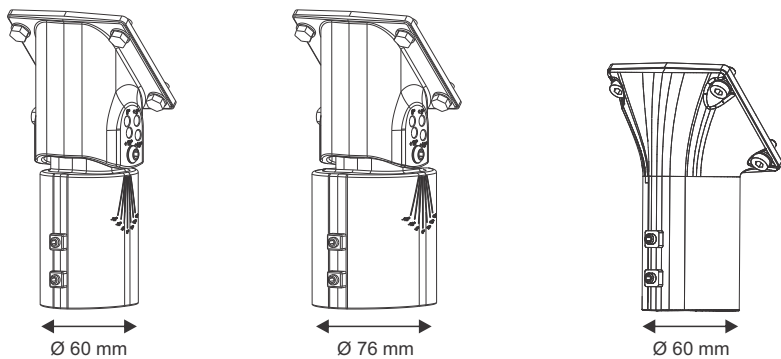
Asymmetric



MOUNTING

LSL[®] series together with recommended mounting height offers optimal solutions for all applications.

- Fast and universal mounting to a lamppost with a diameter of 60 or 76mm.
- Alternative mounting concepts possible on request.
- Fixed bracket or angle mounting bracket in the range of -15° to $+15^{\circ}$.
- Possible side-entry mounting.



Distributor

www.grahlighting.com

Manufacturer reserves all rights to make changes in materials and components used in its products. All data are subject to change without prior notification.

GRAH[®]
LED LIGHTING