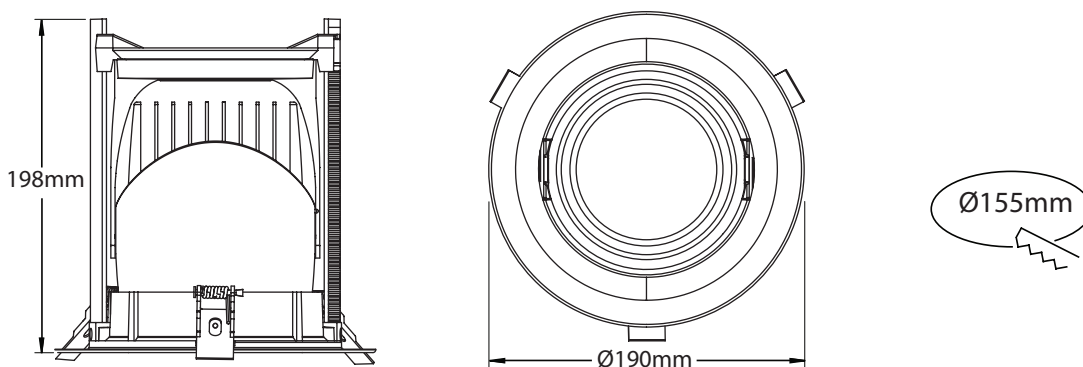




40W Robot light Initio Series

Dimensions



Tolerance: ± 2.5 mm

Figure 1: Dimensions for 40W Initio Series.

Illuminance and Field Angles

• Cool White /Neutral White/Warm White (CRI 80)

Power Consumption(W)	Part Number	Beam Angles	Field Angles	CCT(Typ.)	Lux* @ 1m (Typ.)	Lm (Typ.)
40W	RL-4061xx	25°	60°	5700K	10000	3500
	RL-4062xx			4000K	10000	3500
	RL-4063xx			3000K	10000	3500
	RL-4081xx	45°	80°	5700K	4500	3500
	RL-4082xx			4000K	4500	3500
	RL-4083xx			3000K	4500	3500

Table 1 : Illuminance and field angles for 40W Initio Series.

Notes:

1. Color consistency : 5-step MacAdam.
2. LED is a dynamic and constantly evolving technology. The final lux output of 40W Initio Series may vary.
3. Need connect driver = DC 40V / 1.05A.

Light Patterns

The diagrams present the light patterns with respect to different angles. (CRI 80)

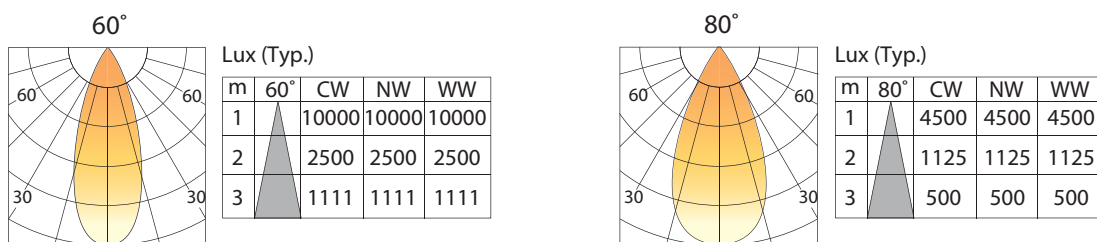


Figure 2 : Light patterns of 40W Initio Series for different angles.