



## 26W 6\"/>

### Dimensions

---

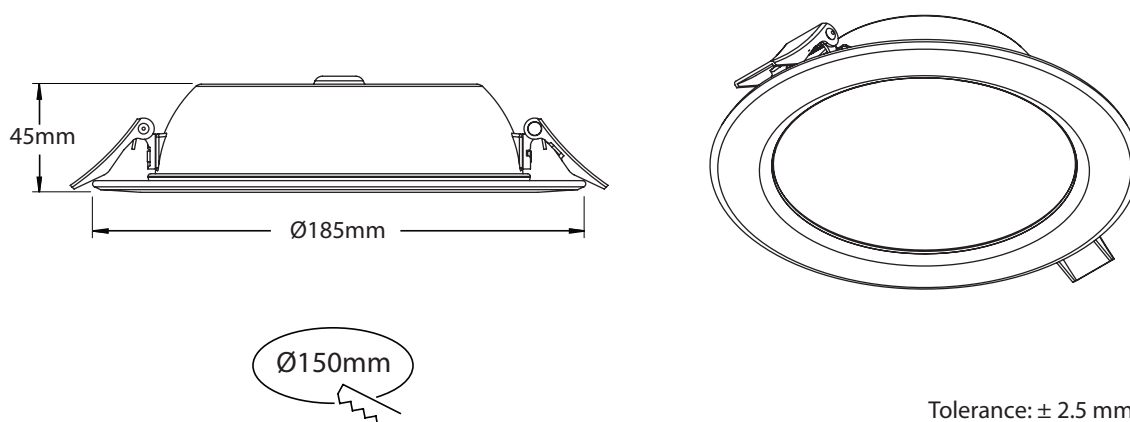


Figure 1: Dimensions for 26W 6\"/>

## Illuminance and Field Angles

### • Cool White /Neutral White/Warm White

| Power Consumption(W) | Part Number  | Field Angles | CCT(Typ.) | Lux*@ 1m (Typ.) | Lm (Typ.) |
|----------------------|--------------|--------------|-----------|-----------------|-----------|
| 26W                  | TLSD6-2601xx | Flood        | 6000K     | 1050            | 2300      |
|                      | TLSD6-2602xx |              | 4000K     | 950             | 2200      |
|                      | TLSD6-2603xx |              | 3000K     | 900             | 2100      |

Table 3: Illuminance and field angles for 26W 6" PLCC Downlight.

Notes:

1. Color consistency : 5-step MacAdam.
2. LED is a dynamic and constantly evolving technology. The final lux output of your 26W 6" PLCC Downlight may vary.
3. Need connect driver = DC 37V / 700mA

## Light Patterns

The diagrams present the light patterns with respect to different color temperature .

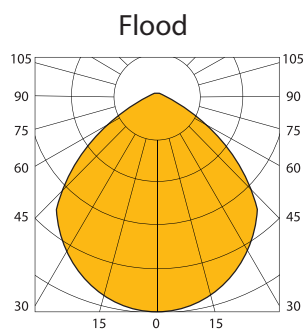


Figure 3: Light patterns of 26W 6" PLCC Downlight.